



48420558
Edition 2
October 2013

Air Die Grinder

M2 Series

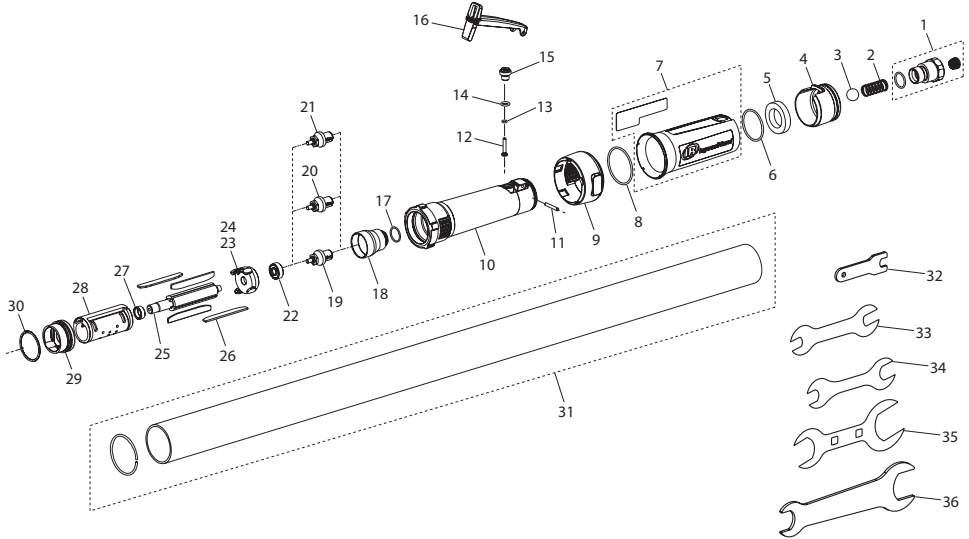
Parts Information



Save These Instructions

 **Ingersoll Rand**[®]

M2 Series, Air Die Grinder - Exploded View (Motor & Motor Housing)



(Dwg. 47506252)

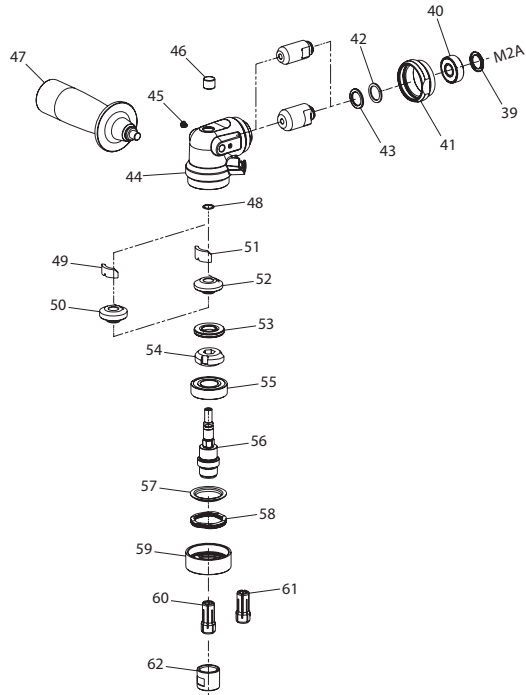
M2 Series, Air Die Grinder - Parts List (Motor & Motor Housing)

| Item | Part Description | Part Number | Item | Part Description | Part Number |
|------|--|--------------|----------------|--|--------------|
| 1 | Inlet Bushing Assembly | HG2-A465 | 21 | Controller Assembly (25,000 RPM) M2H250, M2X250, M2A180 & M2X075 models | HG2-A424-25K |
| | Inlet Bushing | --- | | | |
| | Inlet Screen | R1602-61 | 22 | Bearing | HG2-127A |
| | Inlet O-ring | 48410609 | | | |
| 2 | Spring | MG1-51 | 23 | Rear End Plate | HG2-12 |
| 3 | Ball | D10-280 | 24 | Pin | Y178-211 |
| 4 | Rear Exhaust Diffuser | HG2-123 | 25 | Rotor | HG2-53-4 |
| 5 | Rear Muffler | HG2-311R | 26 | Vane Pack (Set of 4) | HG2-42-4 |
| 6 | O-ring | Y325-26 | 27 | Rotor Spacer | LG2-65 |
| 7 | Sleeve and Label Assembly | HG2-A747 | 28 | Cylinder | HG2-3A |
| | Sleeve | --- | 29 | Front End Plate | HG2-11 |
| | Model Label | HG2-300 | 30 | O-Ring | Y325-25 |
| 8 | O-ring | Y325-29 | 31 | Piped Away exhaust kit | HG2-K284 |
| 9 | Front Housing Cap | HG2-202C | | Exhaust hose | --- |
| 10 | Motor Housing Assembly | HG2-A40 | Retaining ring | --- | |
| 11 | Pin | HG2-120 | 32 | Wrench (11 mm, for controller assembly) | 301-69A |
| 12 | Throttle Pin | HG2-161 | 33 | Wrench (for collet body) | DG10-69 |
| 13 | O-ring | 45635125 | 34 | Wrench (for collet nut) | DG120-69 |
| 14 | O-ring | Y325-10 | 35 | Wrench (38 mm, for clamp nut, M2A & M2X models) | LA2-253 |
| 15 | Throttle Pin Bushing | HG2-781 | 36 | Wrench (35 mm, for clamp nut, M2H models) | MG1-253 |
| | Lever Assembly | HG2-A400 | | | |
| | Lever | --- | † | M2A Tune up kit includes items (2, 3, 5, 6, 8, 11, 13, 14, 17, 22, 26, 30, 39, 40, 42, 43, 46, 48, 53, 55, 58) | HG2-DGTKA |
| | Lever Lock | --- | † | M2H Tune up kit includes items (2, 3, 5, 6, 8, 11, 13, 14, 17, 22, 26, 30, 63, 64, 65) | HG2-DGTKH |
| | Spring | --- | † | M2X Tune up kit includes items (2, 3, 5, 6, 8, 11, 13, 14, 17, 22, 26, 30, 63, 64, 65, 67, 69, 72, 73, 76, 77, 78, 79, 80, 81) | HG2-DGTKX |
| 16 | Lever Assembly | HG2-A400 | † | M2X075 Tune up kit includes items (2, 3, 5, 6, 8, 11, 13, 14, 17, 22, 26, 30, 63, 64, 65, 88, 91, 92, 94, 95, 96, 97) | HG2-DGTKX075 |
| 17 | O-ring | 47112487 | † | Service Tool Kit (32, 33, 34, 35, 36) | HG2-DGTKT |
| 18 | Nozzle | HG2-19 | | | |
| 19 | Controller Assembly (18,000 RPM) M2H180 and M2X180 models | HG2-A424-18K | | | |
| 20 | Controller Assembly (20,000 RPM) M2H200, M2X200 & M2A120 models | HG2-A424-20K | | | |

* Not illustrated

† To keep downtime to a minimum, it is desirable to keep at least one of each kit for every four tools in service

M2 Series, Air Die Grinder - Exploded View (Angle)



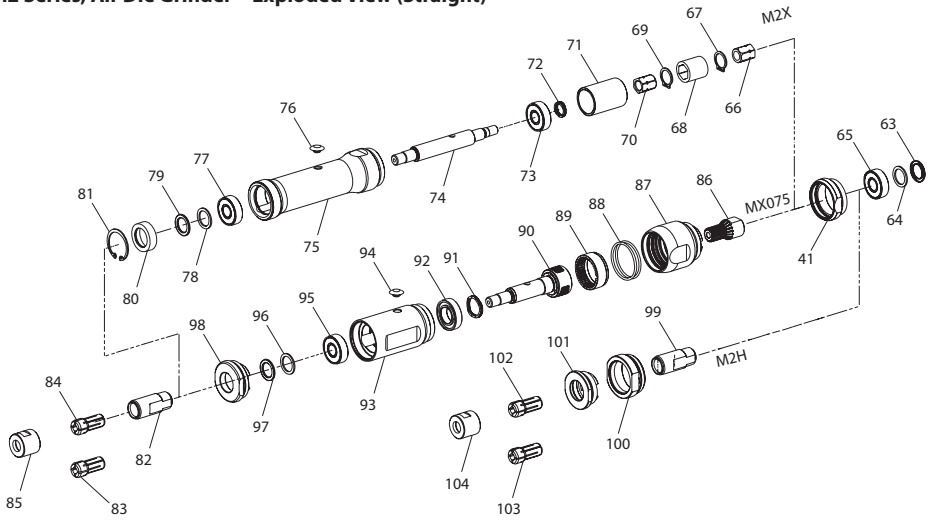
(Dwg. 47506253)

M2 Series, Air Die Grinder - Parts List (Angle)

| Item | Part Description | Part Number | Item | Part Description | Part Number |
|------------|---------------------|-------------|--|------------------------------------|----------------|
| 39 | Felt Wiper Cup | 61H-32 | 49 | Wick M2A120RG4 | HG2-561-1.7 |
| 40 | Bearing | HG2-24 | 50 | Bevel Pinion Assembly M2A120RG4 | HG2-A552-1.7 |
| 41 | Clamp Nut | HG2-27 | 51 | Wick M2A180RG4 | HG2-561-1.3 |
| 42 | Felt Wiper | HG2-33 | 52 | Bevel Pinion Assembly M2A180RG4 | HG2-A552-1.3 |
| 43 | Felt Wiper Cup | 61H-32 | 53 | Rotary Seal | HG2-223 |
| 44 | Angle Head Assembly | HG2-A550 | 54 | Spindle Lock Hub | HG2-108 |
| | Bearing | MG1-693 | 55 | Bearing | HG2-105A |
| | Angle Housing | --- | 56 | Arbor, Collet | HG2-4-G4 |
| | Grease Fitting | --- | 57 | Spring Guide | HG2-119 |
| | Locking Pin | --- | 58 | Spring, Wave | HG2-250B |
| | O-ring | --- | 59 | Bearing Retainer | HG2-531 |
| | Spring, conical | --- | 60 | Collet, 6mm | G160HD-700-6MM |
| | Bushing | --- | 61 | Collet, 1/4" | G160HD-700-1/4 |
| | Warning Label, Heat | VT22-99 | 62 | Collet Nut | DG120-699A |
| Seal Screw | 47500512001 | * | IR # 22 Angle Head Grease (20 cc packet) | 77A-EP0 | |
| 45 | Seal Screw | 47500512001 | | | |
| 46 | Bearing | MG1-693 | | | |
| 47 | Handle | HG2-48 | | | |
| 48 | Ring, retaining | 48378715 | | | |

* Not illustrated

M2 Series, Air Die Grinder - Exploded View (Straight)



(Dwg. 47506254)

M2 Series, Air Die Grinder - Parts List (Straight)

| Item | Part Description | Part Number | Item | Part Description | Part Number |
|------|--|----------------|------|---|----------------|
| 63 | Felt Wiper Cup | 61H-32 | | Additional Parts for all M2X075 Models | |
| 64 | Felt Wiper | HG2-33 | 86 | Pinion, 18 teeth | HG2-17 |
| 65 | Bearing | HG2-24 | 87 | Gear Case Assembly | HG2-A37 |
| | Additional Parts for all M2X Models | | | Gear Case | --- |
| 66 | Bearing Nut | LE2-85 | | Grease Fitting | D0F9-879 |
| 67 | Retaining Ring | RX3-729 | | Pin (2) | Y178-211 |
| 68 | Arbor Coupling | LE2-304 | 88 | O-ring (2) | Y325-26 |
| 69 | Retaining Ring | RX3-729 | 89 | Ring Gear | HG2-406 |
| 70 | Bearing Nut | HG2-85 | 90 | Planetary Gear Assembly | HG2-A216 |
| 71 | Clamp Sleeve | HG2-276 | 91 | Wave Spring | HG2-250P |
| 72 | Wave Spring | HG2-250E | 92 | Bearing | QA4-114803 |
| 73 | Bearing | HG2-24 | 93 | Housing, Extension Planetary | HG2-20PX1 |
| 74 | Arbor Horizontal Extension | HG2-4HX | 94 | Access hole plug | EG220-92 |
| 75 | Housing, Horizontal Extension | HG2-20HX | 95 | Bearing | HG2-24 |
| 76 | Access hole plug | EG220-92 | 96 | Felt Wiper | HG2-33 |
| 77 | Bearing | HG2-24 | 97 | Felt Wiper Cup | 61H-32 |
| 78 | Felt Wiper | HG2-33 | 98 | End Cap | HG2-46P |
| 79 | Felt Wiper Cup | 61H-32 | * | IR # 67 Planetary gear grease (4 oz packet) Note: Do not use in angle head | 67-4T |
| 80 | Dust Shield | LE2-200 | | Additional Parts for all M2H Models | |
| 81 | Retaining Ring | W22-118 | 99 | Collet Body | LG2-290 |
| 82 | Collet Body | LG2-290 | 100 | Clamp Nut | HG2-275 |
| 83 | Collet, 1/4" | G160HD-700-1/4 | 101 | Clamp Spacer | HG2-46 |
| 84 | Collet, 6mm | G160HD-700-6MM | 102 | Collet, 1/4" | G160HD-700-1/4 |
| 85 | Collet Nut | DG120-699A | 103 | Collet, 6mm | G160HD-700-6MM |
| | | | 104 | Collet Nut | DG120-699A |

* Not Illustrated.

Parts and Maintenance

When the life of the tool has expired, it is recommended that the tool be disassembled, degreased and parts be separated by material so that they can be recycled.

Tool repair and maintenance should only be carried out by an authorized Service Center.

Refer all communications to the nearest **Ingersoll Rand** Office or Distributor.

Related Documentation

For additional information refer to:

Air Die Grinder Product Safety Information Manual 04580288.

Air Die Grinder Product Information Manual 48420517.

Manuals can be downloaded from ingersollrandproducts.com

Notes:

Notes:

ingersollrandproducts.com

© 2013 Ingersoll-Rand

